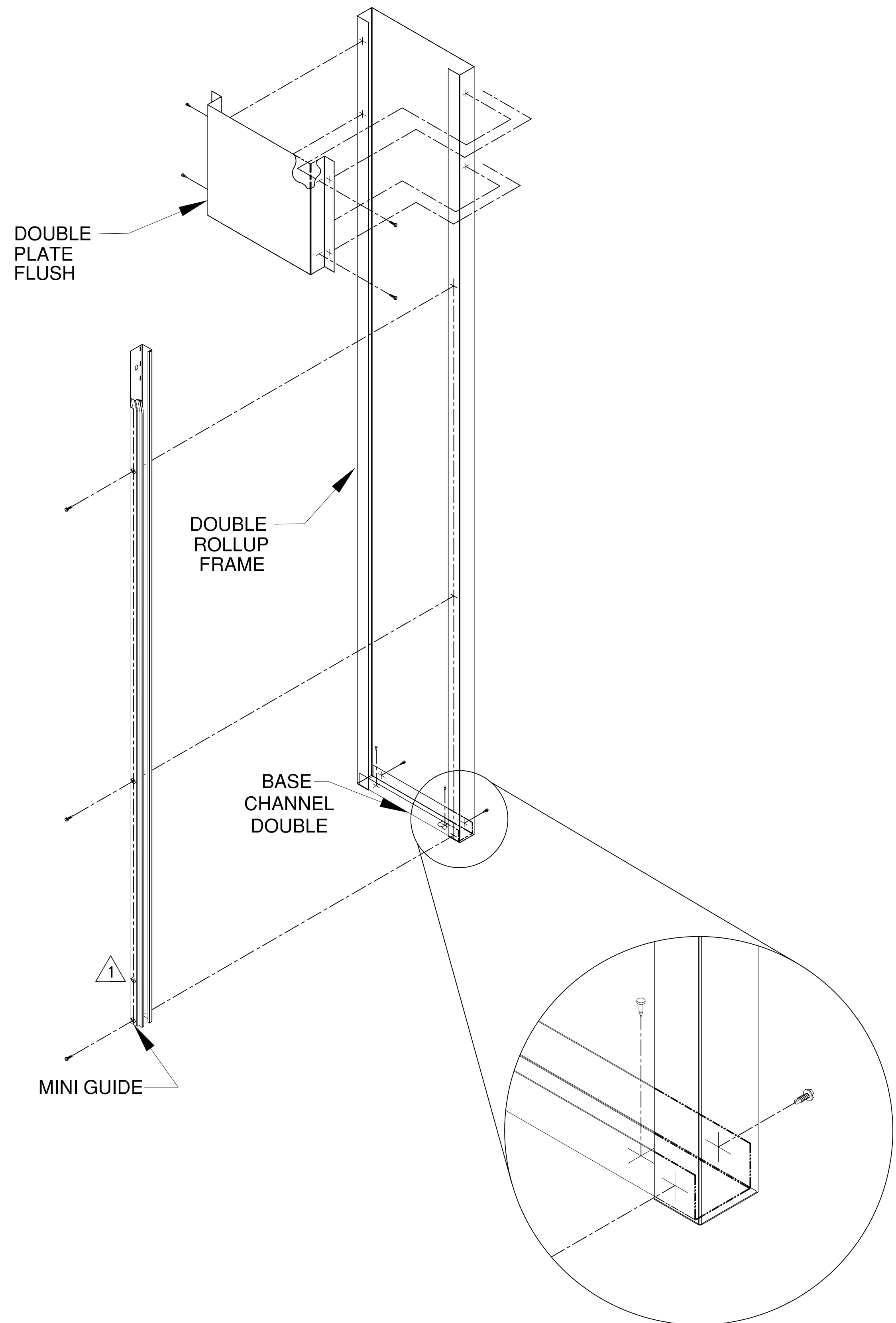
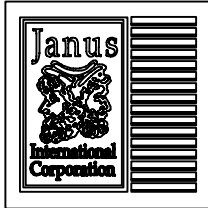


Revisions			
Rev.	Description	Date	APRVD.
0	Released for distribution.	7/15/03	B.B.
1	REVD., RMVD. EXTERIOR TEKS SCREW.	1/13/04	M.H.



Rollup Frame Double Plate/Base Plate Mounting

JANUS INTERNATIONAL CORPORATION 134 East Luke Road Temple, Georgia 30179-4435 Phone (770) 562-2580 Fax (770) 562-2264 Web Address : WWW.JANUSINTL.COM <small>© 2002 Janus International Corporation All Rights Reserved</small>				
TITLE: Double Rollup Frame with Double Plate/Base Plate Mounting Illustration				
DESIGNED:	Bert Brown	DATE:	July 14, 2003	
DRAWN:	Jeff Davis	DATE:	July 14, 2003	
CHECKED:	Morgan Hodges	DATE:	July 15, 2003	
APPROVED:	Bert Brown	DATE:	July 15, 2003	
SIZE:	DRAWING NUMBER:		REV:	
A	-900-005-0001		1	
SCALE:	1:?	SHEET:	1 OF 1	